

ITEM	QTY	PART NO.	DESCRIPTION	RAW STOCK	MASS
72	3	16727810	LEVEL SENSOR SHORT TANK ASSEMBLY		6.179 lbmass
71	1	16850800	PIPING WATERFEED "B" MODULAR TO TANK NO. 3		26.900 lbmass
70	16	14562401	HOSE 1.50 GENERAL PURP EPDM SUC-100PS		
69	2	14848903	MANIFOLD AIR MICROFILTER		40.232 lbmass
68	4	16695403	CHANNEL B-LINE B22 X 16.00	10575714	3.126 lbmass
67	3	16695402	SHEET 304SS 0.0595 x 14.00 x 36.00	10576700	8.743 lbmass
66	6	16695401	CHANNEL B-LINE B22 X 28.00	10575714	5.471 lbmass
65	3	16719200	STAND PANEL EFC3600		251.812 lbmass
64	3	REF	ENCLOSURE 8.5x12		100.000 lbmass
63	3	VALVE PACK 6x33	VALVE STACK 6x33		100.000 lbmass
62	3	15774001	SAMPLE PORT ENCLOSURE ASSEMBLY		238.065 lbmass
61	2	16702900	BRACKET PIPING SUPPORT ECF108 VERTICAL		3.570 lbmass
60	1	13447818	BRACKET SINGLE CHANNEL C X 18.38	13447824	4.059 lbmass
59	87	10827305	CLAMP B-LINE 3.00" CONDUIT PIPE		0.465 lbmass
58	62	10827306	CLAMP B-LINE 2.00" CONDUIT PIPE		0.627 lbmass
57	1	16451600	MANIFOLD AIR FOR MICROFILTER SYSTEM		56.618 lbmass
56	4	16701400	BRACKET PIPING SUPPORT ECF108 3-PIPE		21.981 lbmass
53	2	15788100	PIPE GUARD	10576912	40.771 lbmass
52	1	16702500	PIPING RETURN LINE EFC108 TRAIN "A"		43.128 lbmass
51	1	16702400	PIPING RETURN LINE EFC108 TRAIN "B"		46.287 lbmass
50	1	16702300	PIPING RETURN CLEANING LINE EFC108		25.268 lbmass
49	1	16702200	PIPING RETURN FILTRATE LINE EFC108 TRAIN "A"		62.170 lbmass
48	1	16702100	PIPING RETURN FILTRATE LINE EFC108 TRAIN "B"		59.351 lbmass
47	1	16702000	PIPING RETURN FILTRATE LINE EFC108 TRAIN "C"		74.285 lbmass
46	1	16701900	PIPING RETURN LINE EFC108 TRAIN "C"		66.518 lbmass
45	3	16702700	BRACKET PIPING SUPPORT ECF108 2-PIPE		11.390 lbmass
44	1	16701700	PIPING VENT EFC108 TRAIN "A"		36.034 lbmass
43	1	16701600	PIPING VENT EFC108 TRAIN "B"		29.339 lbmass
42	1	16701500	PIPING VENT EFC108 TRAIN "C"		38.581 lbmass
41	1	15653500	CLEANING INLET PIPING ASSEMBLY SYSTEM "B"		38.632 lbmass
40	3	14757700	SEAL WATER MANIFOLD ASSEMBLY		32.510 lbmass
39	3	10103805	PIPE PVC80 3.00 x 5.00	10026909	0.763 lbmass
38	3	10061806	PIPE PVC80 2.00 x 4.00	10026907	0.299 lbmass
37	3	10330302	FLANGE SOCKET 3.00 PVC80 VAN STONE		1.956 lbmass
36	3	10330307	FLANGE SOCKET 2.00 PVC80 VAN STONE		1.022 lbmass
35	3	10630242	BULKHEAD TANK 3.00 SxS EPDM PVC80		2.658 lbmass
33	3	13658602	SWITCH LEVEL ULTRASONIC 4-20MA		2.056 lbmass
32	1	16701100	FILTRATE PIPING MANIFOLD EFC108 TRAIN "A"		102.106 lbmass
31	1	16701000	FILTRATE PIPING MANIFOLD EFC108 AUTO CLEAN PVC80		636.902 lbmass
30	1	12053812	PUMP AOD ARO 1:1 PP 1.5"		42.090 lbmass
29	1	16700900	PIPING RETURN LINE "B" MODULAR TO TANK NO. 3		75.709 lbmass
28	1	16662800	PIPING CLEANING RETURN LINE ASSEMBLY		15.018 lbmass
27	1	16695300	CONCENTRATION TANK ASSEMBLY EFC108 PVC80		3.782E+003 lbmass
26	3	13332722	PUMP CENTRIFUGAL 50HP 460/3/60 1050 GPM,		1.150E+003 lbmass
25	1	16695500	FILTRATE PIPING ASSY EFC108 SYSTEM "B" AUTO CLEAN		653.244 lbmass
24	1	15486600	SKID ASSY MICROFILTRATION EFC3600 W/O CLEAN TANK		2.234E+003 lbmass
23	1	15653800	CLEANING LOOP MANIFOLD		19.303 lbmass
22	2	15488000	CENTER STAND WELDMENT		101.680 lbmass
21	2	15487900	STAND WELDMENT		335.854 lbmass
20	2	15486204	PIPE PVC80 2.00 x 51.06	10026907	3.815 lbmass
19	1	16701200	CLEANING INLET PIPING ASSEMBLY SYSTEM "B"		39.795 lbmass
18	1	15653400	RETURN LINE PIPING ASSEMBLY SYSTEM "B"		39.412 lbmass
17	6	10630227	BULKHEAD TANK 2.00 SxS EPDM PVC80		1.002 lbmass
16	1	16701300	FILTRATE PIPING ASSY EFC108 SYSTEM "C" AUTO CLEAN		603.477 lbmass
15	1	15618800	SKID ASSY MICROFILTRATION EFC3600 - ONE CLEAN TANK		2.336E+003 lbmass
14	3	15486300	VENT LINE PIPING ASSEMBLY EFC7272		67.522 lbmass
13	1	16701800	CLEANING LOOP MANIFOLD EFC108 TRAIN "A"		250.939 lbmass
12	15	14894600	VENT SUPPORT BRACKET		16.039 lbmass
11	3	16696100	RETURN LINE PIPING EFC108 - 6" DISCHARGE FLANGE		217.193 lbmass
10	1	14894800	STAND WELDMENT		332.728 lbmass
9	328	10827312	CLAMP B-LINE 6.00" CONDUIT PIPE		1.327 lbmass
8	2	120-2135	GASKET FLANGE EPDM 1-1/2" RIBBED		0.070 lbmass
7	2	14562702	ADAPTER 1.50MNPT x 1.50 HOSE BARB PVC,		0.150 lbmass
6	2	13241702	CLAMP T-BOLT 1.87-2.06 SS		0.012 lbmass
5	2	10330308	FLANGE THREADED 1.50 PVC80		0.494 lbmass
4	3	16695600	INLET PIPING ASSEMBLY EFC108 - 4" FLANGE		189.979 lbmass
3	9	14903700	MEMBRANE PIPING ASSEMBLY EFC3636 PVC		603.057 lbmass
2	3	14903500	TANK PP RECT 51.0 x 75.0 x 37.0 550GAL,		383.477 lbmass
1	1	14903600	SKID SUB-ASSEMBLY		2.438E+003 lbmass

THIRD ANGLE PROJECTION

UNLESS OTHERWISE NOTED TOLERANCES TO BE:

CUT & WELD	MACHINE
XX ±.06	XX ±.00
[X ±.01]	[XX ±.005]
[X ±.02]	[X ±.01]
[X ±.01]	[X ±.01]
[X ±.01]	[X ±.01]

DIMENSIONS IN [] ARE MILLIMETERS DO NOT SCALE DRAWING

2	REMOVED 3-10630235 AND ADDED 3-16727810	8/30/07	TMZ		11472
1	ADDED 16850800 PER ECN	8/2/07	TMZ		11357
0	RELEASED TO MFG.	4/18/07	TMZ		

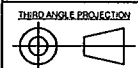
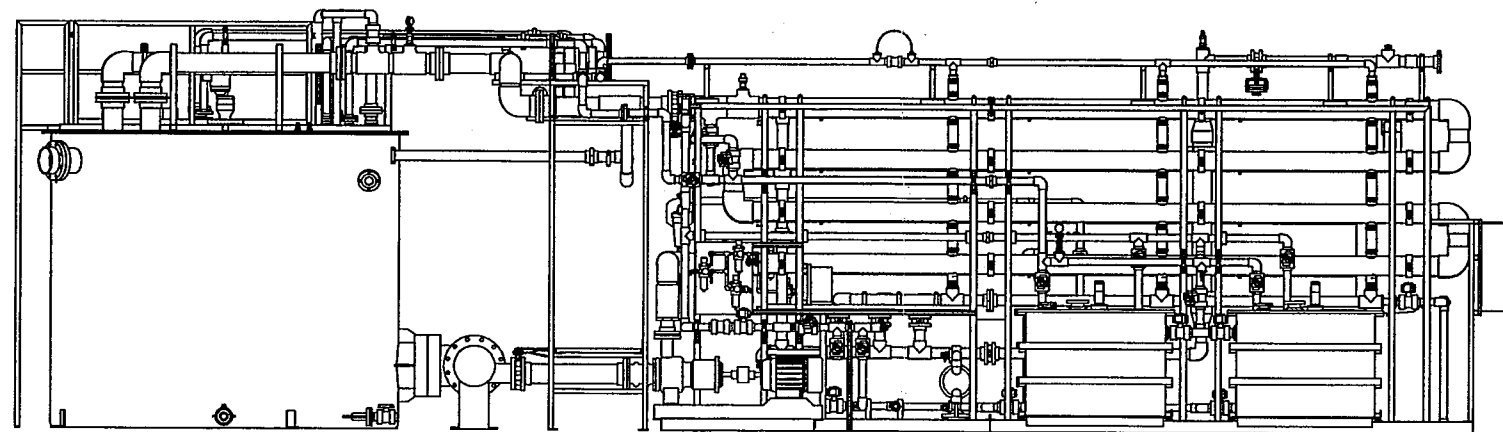
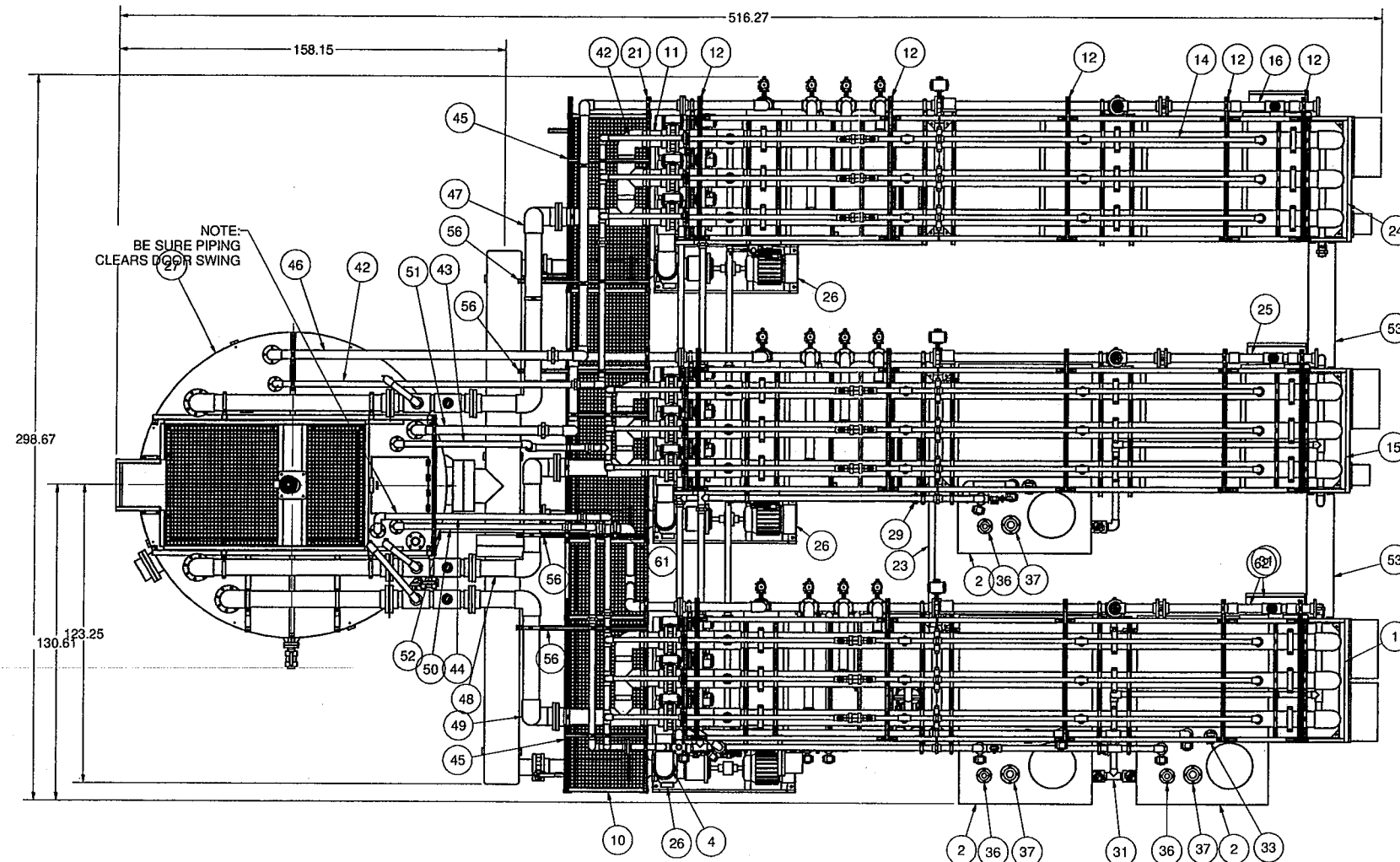
COMPANY CONFIDENTIAL
THIS DOCUMENT AND ALL INFORMATION CONTAINED HEREIN ARE THE PROPERTY OF SIEMENS AND/OR ITS AFFILIATES. THE DESIGN CONCEPTS AND INFORMATION CONTAINED HEREIN ARE PROPRIETARY TO SIEMENS AND ARE SUBMITTED IN CONFIDENCE. THEY ARE NOT TRANSFERABLE AND MUST BE USED ONLY FOR THE PURPOSE FOR WHICH THE DOCUMENT IS EXPRESSLY LOANED. THEY MUST NOT BE DISCLOSED, REPRODUCED, LOANED OR USED IN ANY OTHER MANNER WITHOUT THE EXPRESS WRITTEN CONSENT OF SIEMENS. IN NO EVENT SHALL THEY BE USED IN ANY MANNER DETRIMENTAL TO THE INTEREST OF SIEMENS. ALL PATENT RIGHTS ARE RESERVED. UPON THE DEMAND OF SIEMENS, THIS DOCUMENT, ALONG WITH ALL COPIES, AND EXTRACTS, AND ALL RELATED NOTES AND ANALYSES, MUST BE RETURNED TO SIEMENS OR DESTROYED, AS DIRECTED BY SIEMENS. ACCEPTANCE OF THE DELIVERY OF THIS DOCUMENT CONSTITUTES AGREEMENT TO THESE TERMS AND CONDITIONS.

DESIGNER	DATE
TMZ	3/22/2007
CHECKER	DATE
ENGINEER	DATE
MANAGER	DATE
FILE:	16695400.dgn
SCALE:	NONE

TITLE: MICROFILTRATION SYSTEM EFC108 PVC80

CLIENT:

PROJECT: CODE: DRAWING: 16695400 SHEET: 1 OF 4 REV: 2



UNLESS OTHERWISE NOTED
TOLERANCES TO BE:
CUT & WELD MACHINES
XX ± .06 XX ± .03
[X ± .01] [X ± .005]
± .02 ± .01
± .01

DIMENSIONS IN MILLIMETERS
DO NOT SCALE DRAWING
STD: 2-0200-22X34D BAR= 1" AT PLOT SCALE INTL REF:

REV	DESCRIPTION	DATE	DWN	CHKD	APVD	ECN
0	RELEASED TO MFG.	4/16/07	TMZ			

REV	DESCRIPTION	DATE	DWN	CHKD	APVD	ECN
0	RELEASED TO MFG.	4/16/07	TMZ			

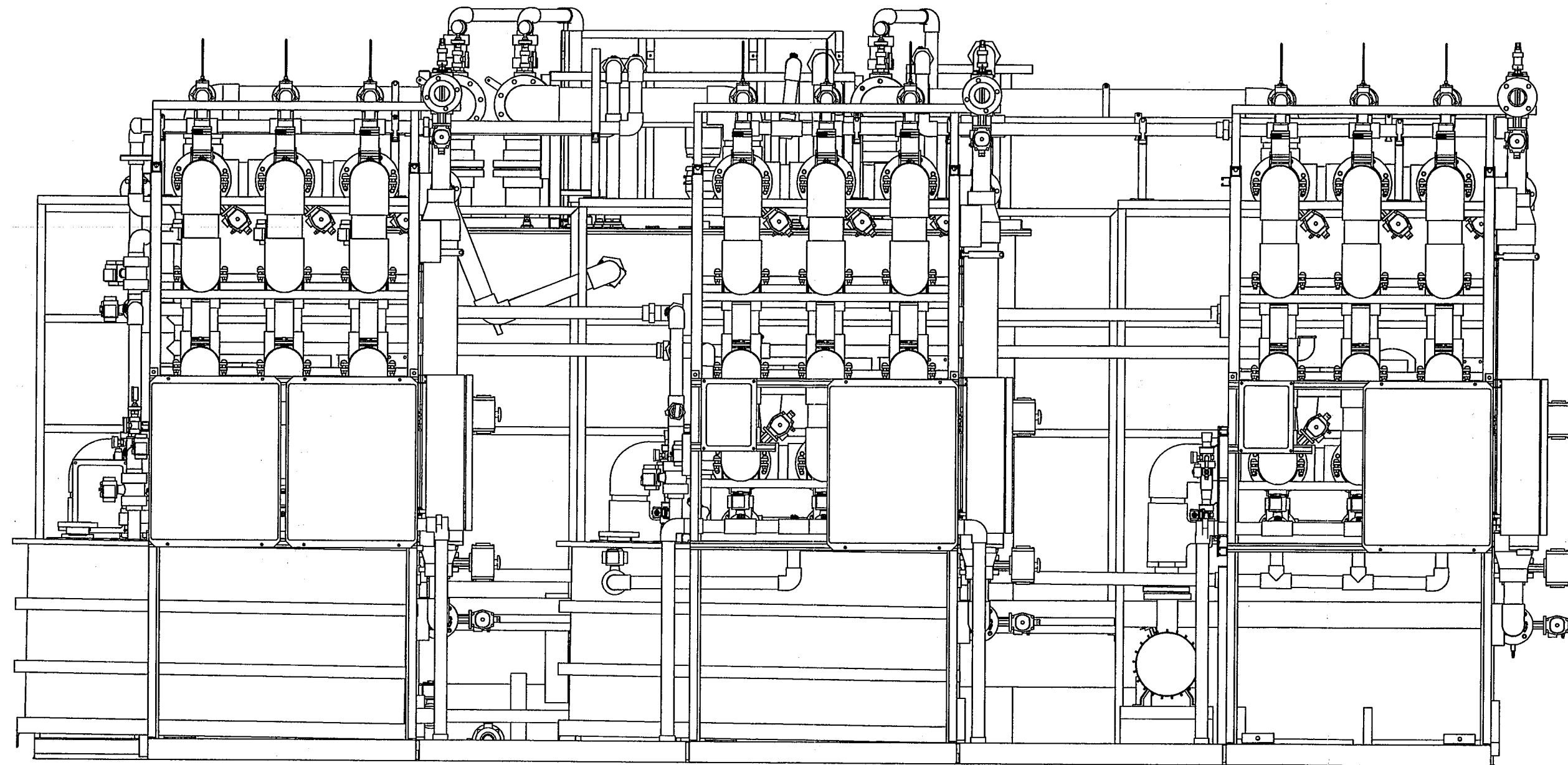
COMPANY CONFIDENTIAL
THIS DOCUMENT AND ALL INFORMATION CONTAINED
HEREIN ARE THE PROPERTY OF SIEMENS AND/OR
ITS AFFILIATES. THE DESIGN CONCEPTS AND
INFORMATION CONTAINED HEREIN ARE PROPRIETARY
TO SIEMENS AND ARE SUBMITTED IN CONFIDENCE. THEY
ARE NOT TRANSFERABLE AND MUST BE USED ONLY
FOR THE PURPOSE FOR WHICH THE DOCUMENT IS
EXPRESSLY LOANED. THEY MUST NOT BE DISCLOSED,
REPRODUCED, LOANED OR USED IN ANY OTHER
MANNER WITHOUT THE EXPRESS WRITTEN CONSENT
OF SIEMENS. IN NO EVENT SHALL THEY BE USED IN ANY
MANNER DETRIMENTAL TO THE INTEREST OF SIEMENS. ALL
PATENT RIGHTS ARE RESERVED. UPON THE DEMAND
OF SIEMENS, THIS DOCUMENT, ALONG WITH ALL COPIES,
AND EXTRACTS, AND ALL RELATED NOTES AND
ANALYSES, MUST BE RETURNED TO SIEMENS OR
DESTROYED, AS INSTRUCTED BY SIEMENS. ACCEPTANCE
OF THE DELIVERY OF THIS DOCUMENT CONSTITUTES
AGREEMENT TO THESE TERMS AND CONDITIONS.

DESIGNER	DATE
TMZ	3/22/2007
CHECKER	DATE
ENGINEER	DATE
MANAGER	DATE

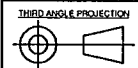
TITLE		MICROFILTRATION SYSTEM EFC108 PVC80	
CLIENT			
PROJECT		CODE	DRAWING
			16695400
SHEET		2 OF 4	
REV		0	

SIEMENS WATER TECHNOLOGIES
HOLLAND, MI USA
TEL: 616-772-9011

FILE: 16695400.dwg
SCALE: NONE



LEFT VIEW



THIRD ANGLE PROJECTION
 UNLESS OTHERWISE NOTED
 TOLERANCES TO BE:
 CUT & WELD FINISHES
 .XX ± .06 .XXX ± .03
 [X ± .2] .XXX ± .005
 < ± .2 [X ± .1]
 < ± .1 [X ± .1]
 DIMENSIONS IN [] ARE MILLIMETERS
 DO NOT SCALE DRAWING

STD: 2-0200-22X34D

BAR= 1" AT PLOT SCALE INTL REF:

REV	DESCRIPTION	DATE	DWN	CHKD	APVD	ECN
0	RELEASED TO MFG.	4/16/07	TMZ			

REV	DESCRIPTION	DATE	DWN	CHKD	APVD	ECN
0	RELEASED TO MFG.	4/16/07	TMZ			

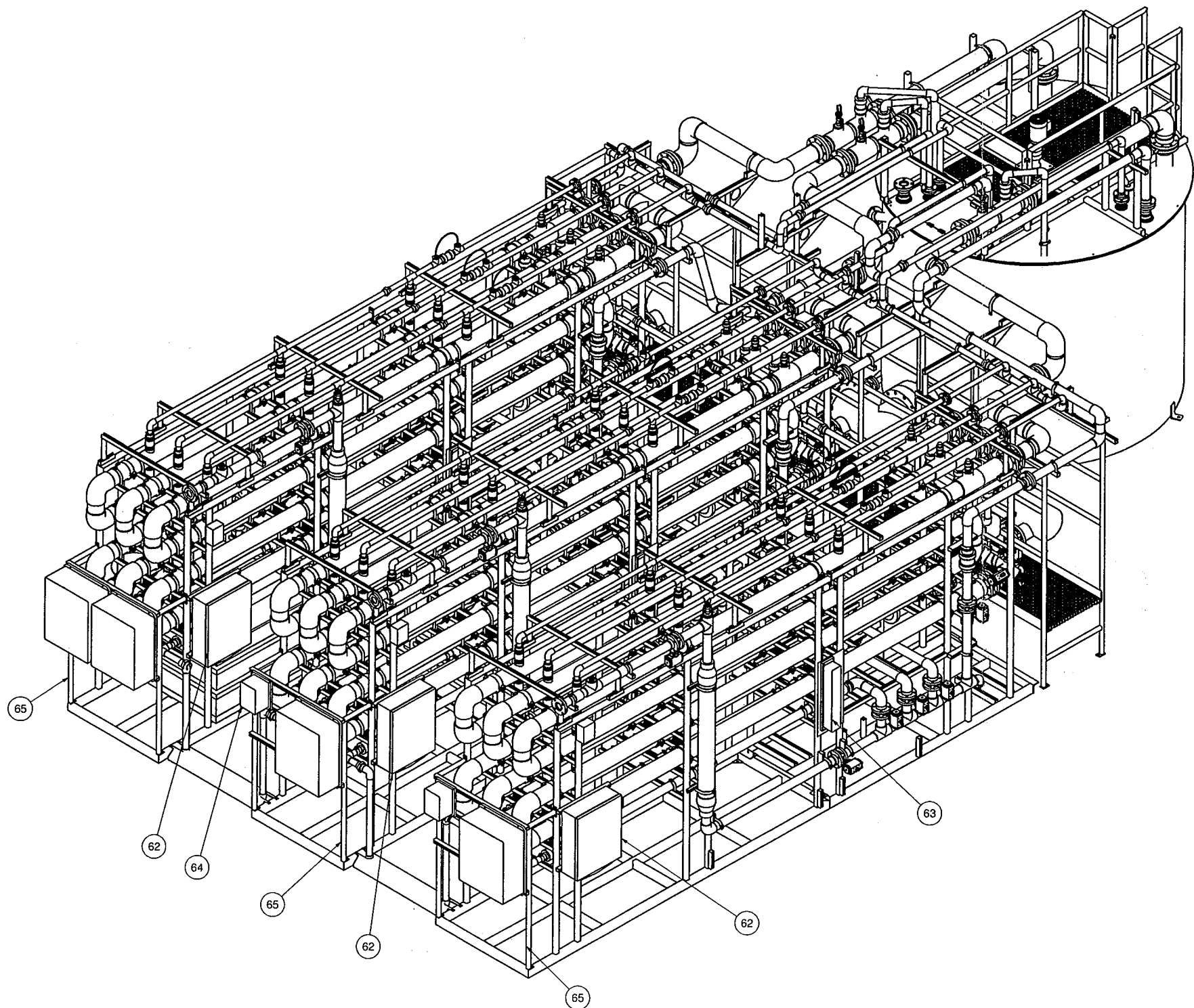
COMPANY CONFIDENTIAL
 THIS DOCUMENT AND ALL INFORMATION CONTAINED
 HEREIN ARE THE PROPERTY OF SIEMENS AND/OR
 ITS AFFILIATES. THE DESIGN CONCEPTS AND
 INFORMATION CONTAINED HEREIN ARE PROPRIETARY
 TO SIEMENS AND ARE SUBMITTED IN CONFIDENCE. THEY
 ARE NOT TRANSFERABLE AND MUST BE USED ONLY
 FOR THE PURPOSE FOR WHICH THE DOCUMENT IS
 EXPRESSLY LOANED. THEY MUST NOT BE DISCLOSED,
 REPRODUCED, LOANED OR USED IN ANY OTHER
 MANNER WITHOUT THE EXPRESS WRITTEN CONSENT
 OF SIEMENS. IN NO EVENT SHALL THEY BE USED IN ANY
 MANNER DETRIMENTAL TO THE INTERESTS OF SIEMENS. ALL
 PATENT RIGHTS ARE RESERVED. UPON THE DEMAND
 OF SIEMENS, THIS DOCUMENT, ALONG WITH ALL COPIES,
 AND EXTRACTS, AND ALL RELATED NOTES AND
 ANALYSES, MUST BE RETURNED TO SIEMENS OR
 DESTROYED, AS INSTRUCTED BY SIEMENS. ACCEPTANCE
 OF THE DELIVERY OF THIS DOCUMENT CONSTITUTES
 AGREEMENT TO THESE TERMS AND CONDITIONS.

DESIGNER	DATE
TMZ	3/22/2007
CHECKER	DATE
ENGINEER	DATE
MANAGER	DATE

TITLE	MICROFILTRATION SYSTEM EFC108 PVC80
CLIENT	
PROJECT	
CODE	
DRAWING	16695400
SHEET	3 OF 4
REV	0

SIEMENS WATER TECHNOLOGIES
 HOLLAND, MI USA
 TEL: 616-772-9011

FILE: 16695400.ipt
 SCALE: NONE



THIRD ANGLE PROJECTION

UNLESS OTHERWISE NOTED
TOLERANCES TO BE:

CUT & WELD	MACHINE
.XX ± .06	.XX ± .03
[X ± .2]	[XX ± .005]
+ .2	[X ± .1]
	[X ± .1]

DIMENSIONS IN [] ARE MILLIMETERS
DO NOT SCALE DRAWING

STD: 2-0200-22X34D

BAR= 1" AT PLOT SCALE INTL REF:

REV	DESCRIPTION	DATE	DWN	CHKD	APVD	ECN
0	RELEASED TO MFFG.	4/16/07	TMZ			

REV	DESCRIPTION	DATE	DWN	CHKD	APVD	ECN
0	RELEASED TO MFFG.	4/16/07	TMZ			

COMPANY CONFIDENTIAL
THIS DOCUMENT AND ALL INFORMATION CONTAINED
HEREIN ARE THE PROPERTY OF SIEMENS AND/OR
ITS AFFILIATES. THE DESIGN CONCEPTS AND
INFORMATION CONTAINED HEREIN ARE PROPRIETARY
TO SIEMENS AND ARE SUBMITTED IN CONFIDENCE. THEY
ARE NOT TRANSFERABLE AND MUST BE USED ONLY
FOR THE PURPOSE FOR WHICH THE DOCUMENT IS
EXPRESSLY LOANED. THEY MUST NOT BE DISCLOSED,
REPRODUCED, LOANED OR USED IN ANY OTHER
MANNER WITHOUT THE EXPRESS WRITTEN CONSENT
OF SIEMENS. IN NO EVENT SHALL THEY BE USED IN ANY
MANNER DETRIMENTAL TO THE INTEREST OF SIEMENS. ALL
PATENT RIGHTS ARE RESERVED. UPON THE DEMAND
OF SIEMENS, THIS DOCUMENT, ALONG WITH ALL COPIES,
AND EXTRACTS AND ALL RELATED NOTES AND
ANALYSES, MUST BE RETURNED TO SIEMENS OR
DESTROYED, AS INSTRUCTED BY SIEMENS. ACCEPTANCE
OF THE DELIVERY OF THIS DOCUMENT CONSTITUTES
AGREEMENT TO THESE TERMS AND CONDITIONS.

DESIGNER	DATE
TMZ	3/22/2007
CHECKER	DATE
ENGINEER	DATE
MANAGER	DATE
FILE:	16695400.iain
SCALE:	NONE

TITLE		MICROFILTRATION SYSTEM EFC108 PVC80		
CLIENT				
SIEMENS		WATER TECHNOLOGIES HOLLAND, MI USA TEL: 616-772-9011		
PROJECT	CODE	DRAWING	SHEET	REV
		16695400	4 OF 4	0